

NEW



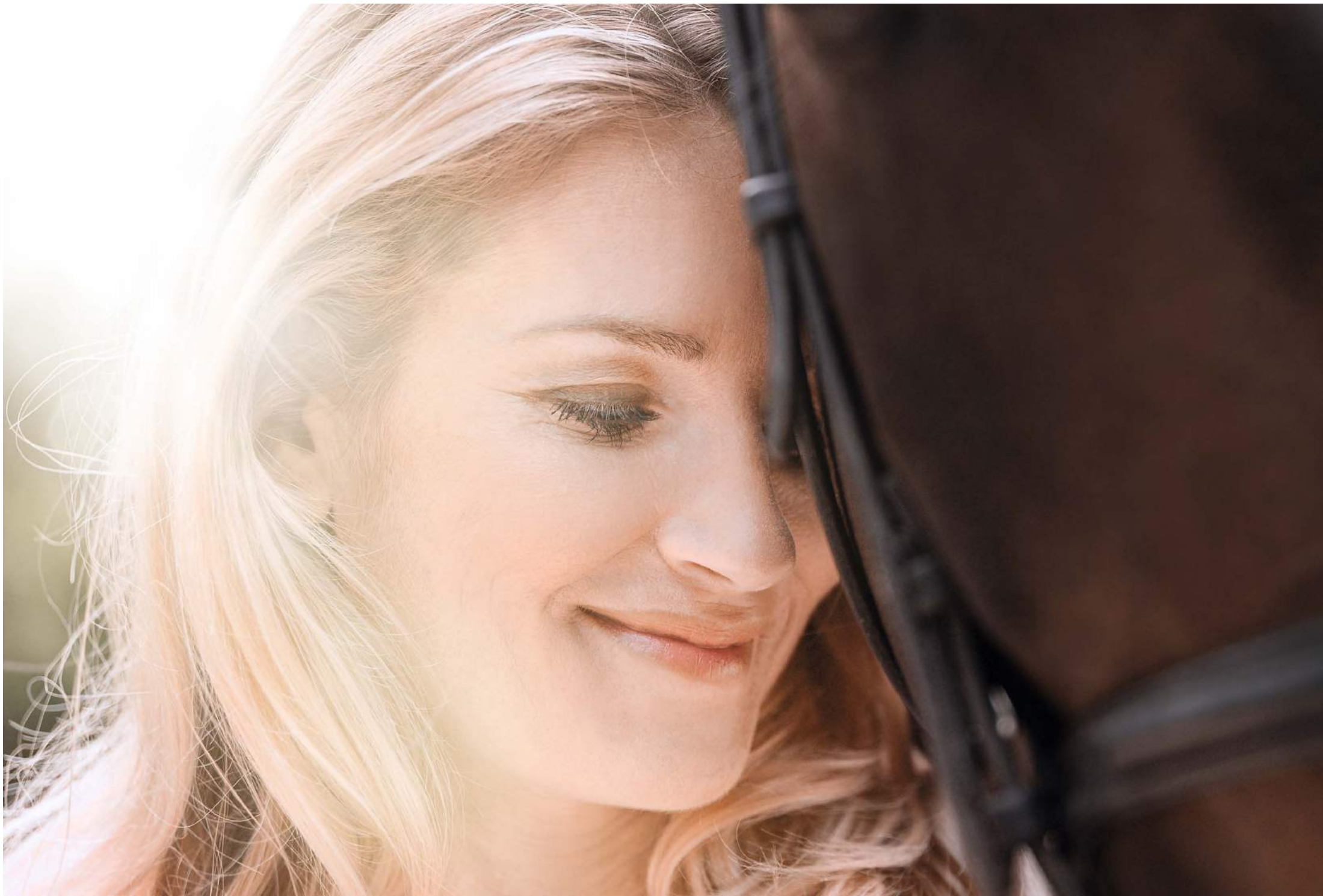
Master family

Perfect design for maximum comfort. The original.

www.boeckmann.com



FIRST CLASS TRANSPORT



Truly masterful.

For more than 65 years we have been designing horse trailers that are precisely tailored to the needs of horses and their riders, that meet the highest quality standards and offer a host of advantages in everyday equestrian life. Just like the Master family. For decades these vehicles have been impressing horse enthusiasts across the board with their great design, exclusive standard features and outstanding travelling comfort. These are characteristics that we have developed even further in the latest generation of these horse trailers – naturally with the experience gained with our own horses. The Master remains in a class of its own. We hope you enjoy browsing through this brochure and finding out more about our new range.



Contents

The family company	4
Master	6
Big Master	8
Grand Master	10
Standard features	12
Room concepts and tack lockers	16
Added values	22
Colours and decors	32
Accessories	34
Service	36
The Böckmann World	38



From the idea to the product: Anton Böckmann laid the foundations of the company with skilful craftsmanship and passion for his work.



Unforgettable: the four young Böckmann brothers on "Raudi", their first Shetland pony.



Important hands-on experience: Klaus Böckmann handling his own horses.



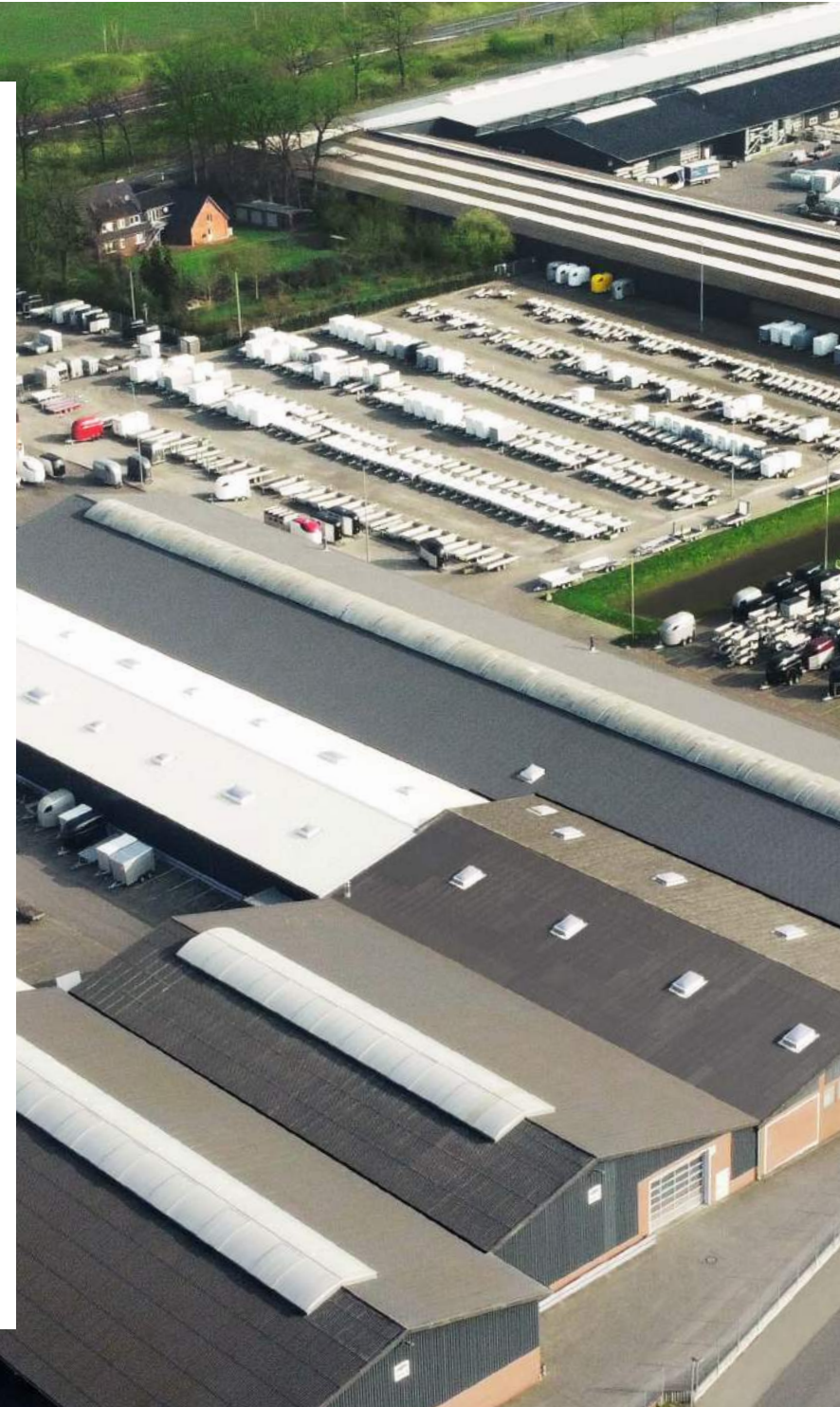
Effective training means greater success: trainer Gilbert Böckmann.



The next generation has now also joined the company's management team: Stella Böckmann and Justus Böckmann.



One big family: from a small blacksmith's workshop to the Böckmann Group – with a workforce of more than 500 in 2021.



Böckmann. The family company.

The company's development from a small village smithy to an international market leader has been shaped above all by one sentence: "You have to put your heart and soul into the business to be successful in the long term." This conviction, which Brigitte and Anton Böckmann have passed on to the family since the company was founded in 1956, still holds true today. With Stella Böckmann and Justus Böckmann the third generation of the company also stands for transport solutions which are characterised by first-class quality, the best design and absolute reliability.

Another decisive part of the successful Böckmann DNA is also a matter close to the heart of the family members – their passion for equestrian sport. Looking after your own horses every day is both an inspiration and an opportunity to test vehicle developments. Only developments that have proven their worth are taken into production. This is how the company has been manufacturing horse trailers that deliver real added value for more than 65 years.



The founders: Anton († 2010) and Brigitte Böckmann († 2011).



The headquarters of Böckmann Fahrzeugwerke GmbH is in Lastrup, Lower Saxony.

Master.

Perfect design for maximum comfort: The new Master offers even more space, for example in front of the horse and in the tack locker. The wood-free body made of reinforced full polyester, the extra high side walls, the full-height entrance door and a tack locker that is easily accessible from the inside and the outside put the Master in a class of its own. Discover the exclusive highlights.



Plenty of headroom, space in front of the horses and easily accessible full-height doors guaranteed by the intelligent room concept of the new Master.





Experience the new
Bockmann Master in the video –
scan the code now!



Big Master.

Extra wide, extra long and extra comfortable – the new Big Master has impressively generous dimensions, a classic design, exclusive standard features and a tack locker in which every detail is just right. The world-class “WCFplus” chassis guarantees maximum travelling comfort. Your trailer – our masterpiece.



Large dimensions and lots of space

with an inside length of 3900mm and inside width of 1750mm in the Big Master.





Grand Master.

A true space miracle – the Grand Master has an impressive amount of extra space and a distinctive design. The two models SKA (tack locker accessible from the outside) and SR (full-height, walk-in tack locker) offer exclusive practical advantages and extensive standard features in addition to the unique window concept.



Plenty of extra space for horses and riders

due to the middle post partition system and the tack locker (Grand Master SKA) or the walk-in tack locker (Grand Master SR) with a full-height access door inside.





Standard highlights.

The exclusive features such as the outstanding travelling comfort due to the world-class "WCFplus" chassis to automotive standard, the large tack lockers with extensive features and the horse compartment with kick protection and side padding ensure comfort and safety as standard.

For further details on the standard features of the individual models visit: www.boeckmann.com



Plenty of space and comfort

due to the tack lockers which are accessible from the inside and outside and feature clever details and extensive standard accessories (for more information about the tack lockers turn to page 20).



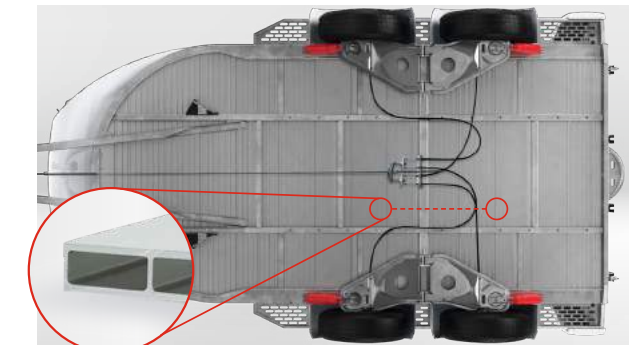
Safe transport

ensured by the track-proven Böckmann partition wall system and the safety stall bar system (MSS) with tie rings and an adjustable height range of 10 cm. Further protection is provided by the additional stall bar padding as well as the padding and kick protection on the side walls.



Fast safety in emergencies

due to the track-proven Multi Safe safety stall bar panic system (MSS) for front and rear. The wheel spanner is included in the standard equipment.



Robust and rot-proof

due to the solid quality full aluminium floor with closed profile for reinforcement in the horse compartment.



More space when loading and unloading

due to the wide entrance, the light and inviting interior and the cleverly designed partition wall systems.



PVC canvas lift

with integrated net and roll-up function in the Master and Big Master [1].
Black PVC canvas lift with integrated net and roll-up function as well as forced ventilation in black in the Grand Master [2].



Travelling comfort

with the world-class chassis to automotive standards with wheel shock absorbers.

Even more standard features.

The standard features of the Master family already stand out with many details and innovations from which horse and rider benefit every day.



Robust rear ramp

with four galvanised steel profile struts with integrated lifting device for easy opening of the rear ramp, additionally with new double step.



Comfortable standing position

due to the additional stall bar padding as well as the padding and kick protection on the side walls.



Good ventilation, brightness and sun protection

with several horizontally opening side windows in the Grand Master [1] or pop-up side windows in the Master and Big Master [2]. Dazzle-free, with sunshade and safety grille.



Safe hitching and unhitching

with the lockable cast coupling with rubberised, convenient heart-shaped handle and soft top (crash protection).



Calming atmosphere

provided by the blue LED transport light – can be conveniently switched from blue to white.



Easily accessible feed

with two safety feeding troughs in an optimum position for the horses. Conveniently stowable in the tack locker.



Visual highlight

with the polyester cover for side braces and the single polyester fenders e.g. in the body colour (accessories for Master and Big Master).



Simple operation

due to the automatic jockey wheel – extra-long with an easy-to-handle crank and perfect to use, even in cold weather.



Wood-free body made of reinforced full polyester for outstanding durability.

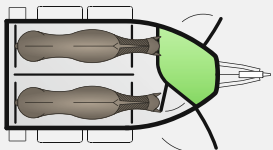
Additional standard features

- Strong construction due to the V2A stainless steel bolted connections
- Longitudinal beam chassis with V-drawbar (bolted)
- Lighting system with reversing light and 13-pin connector
- Generously dimensioned quality tyres
- Solid polyester body
- Lifting device on rear ramp
- Closed rear struts
- Manoeuvring handle
- Horsehead decor on rear ramp
- Lockable doors with 3-point door locking system and rain gutter
- Böckmann partition wall: middle post partition wall (can be swivelled at front and rear) with padding (Grand Master); transparent PVC divider, flexible with PVC top section (Master and Big Master)
- Rubber floor (8 mm) with anti-slip textile structure, bonded and sealed
- Rubber covering on rear ramp with step bars, water drain gutter and side stops
- Wear mat (Grand Master)
- Roof vent (Grand Master)

All standard features and more are described at www.boeckmann.com

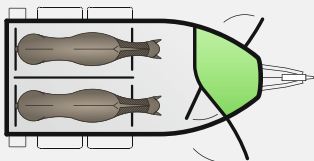
Plenty of room.

The Master family stands for size, excellent handling and detailed solutions in the right place. Each model has been tailored exactly to the needs of horse and rider. The unique spaciousness ensures absolute freedom of movement without having to forego the numerous comfort and safety features. This is made possible by an intelligent room layout and generous interior dimensions. Convince yourself of the many equipment highlights and find out which Master model is the right one for you.



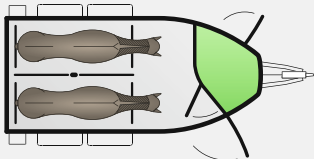
Master

Large horse compartment with Bockmann dividing wall (middle post partition optional), space in front of the horses, large entrance door and easily accessible tack locker.



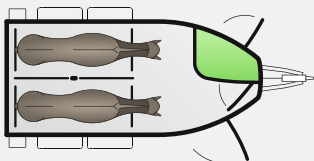
Big Master

Large horse compartment with Bockmann dividing wall, additional space in front of the horses, large entrance door and easily accessible tack locker.



Grand Master SKA

Large horse compartment with Bockmann middle post partition, additional space in front of the horses, large entrance door and easily accessible tack locker.



Grand Master SR

Large horse compartment with Bockmann middle post partition, additional space in front of the horses, large entrance door and a full-height, walk-in tack locker.

- ✓ **Wood-free body**
made of reinforced full polyester

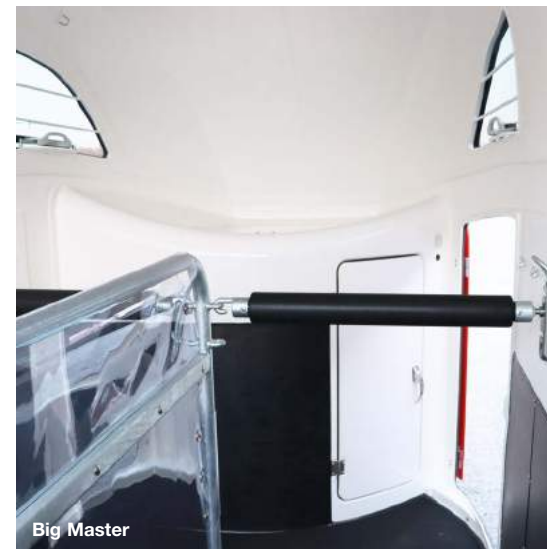


**Big Master/
Grand Master**
Interior dimensions
(H x W x L):
2300 x 1750 x 3900 mm

Master
Interior dimensions
(H x W x L):
2350 x 1650 x 3560 mm



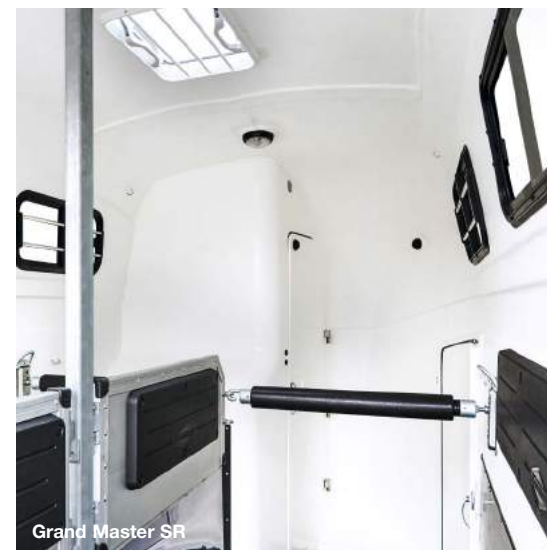
Master



Big Master



Grand Master SKA



Grand Master SR

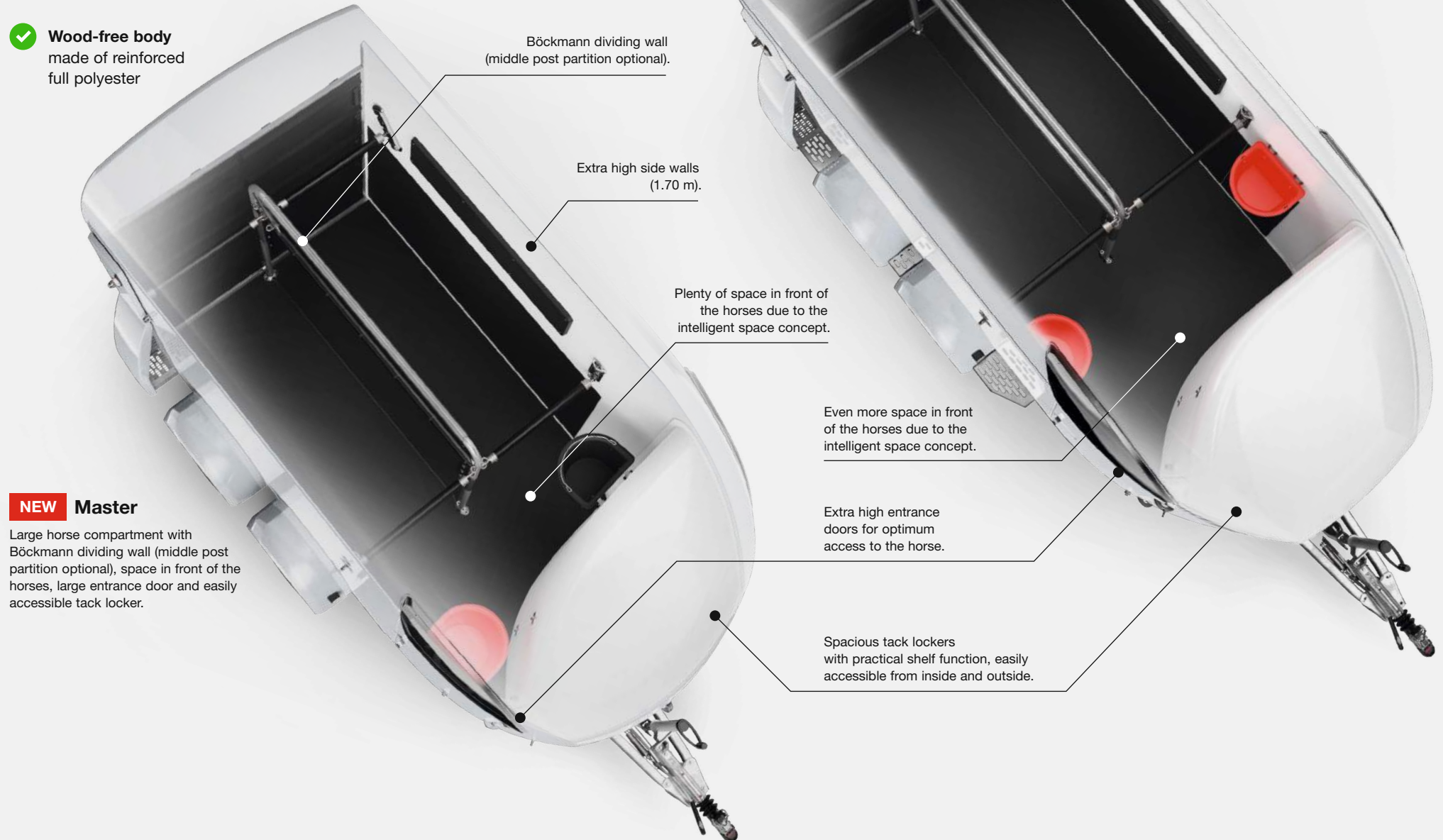
Space and comfort for horses and riders

with unique, generous dimensions, plenty of space in front of the horses, large doors and convenient access to the tack locker.

Even more space.

Maximum benefits, safe handling of the horse and features that you can rely on. Discover more about the different models and find out which Master horse trailer suits you.

✓ **Wood-free body**
made of reinforced
full polyester



Böckmann dividing wall
(middle post partition optional).

Extra high side walls
(1.70 m).

Plenty of space in front of
the horses due to the
intelligent space concept.

Even more space in front
of the horses due to the
intelligent space concept.

Extra high entrance
doors for optimum
access to the horse.

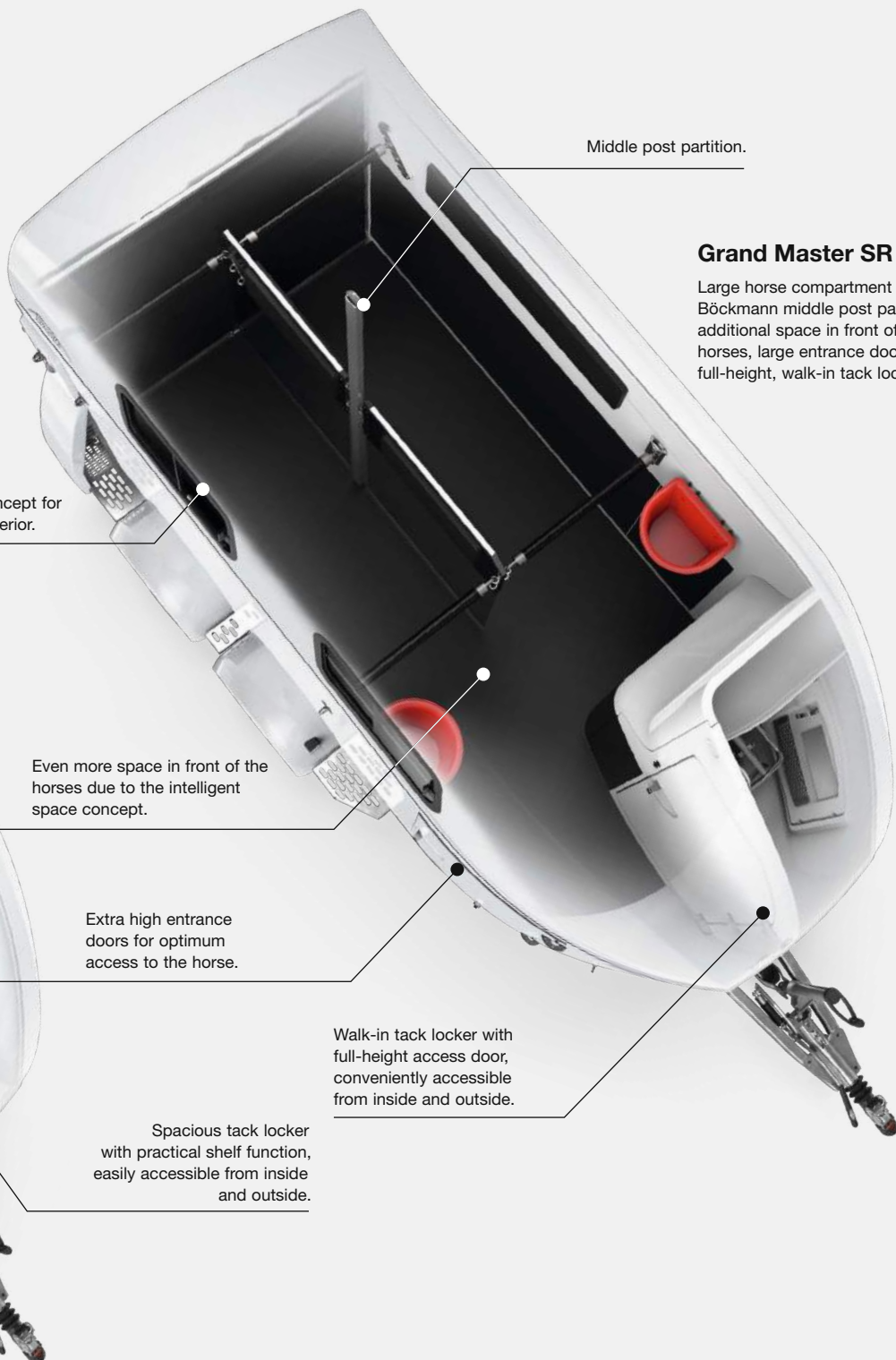
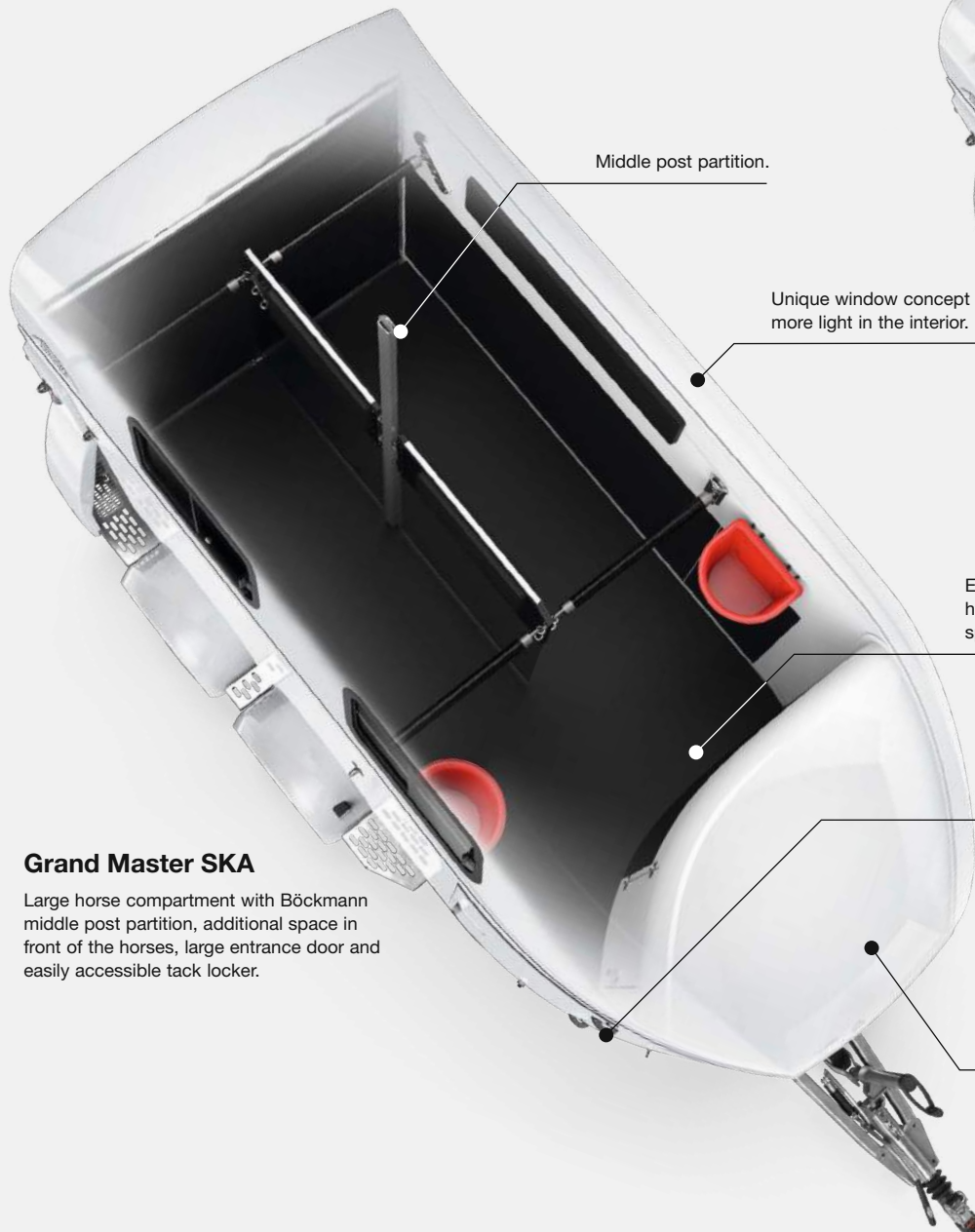
Spacious tack lockers
with practical shelf function, easily
accessible from inside and outside.

NEW Master

Large horse compartment with
Böckmann dividing wall (middle post
partition optional), space in front of the
horses, large entrance door and easily
accessible tack locker.

NEW Big Master

Large horse compartment with Böckmann
dividing wall, additional space in front of
the horses, large entrance door and easily
accessible tack locker.



Middle post partition.

Unique window concept for more light in the interior.

Even more space in front of the horses due to the intelligent space concept.

Extra high entrance doors for optimum access to the horse.

Spacious tack locker with practical shelf function, easily accessible from inside and outside.

Middle post partition.

Grand Master SR

Large horse compartment with Böckmann middle post partition, additional space in front of the horses, large entrance door and a full-height, walk-in tack locker.

Grand Master SKA

Large horse compartment with Böckmann middle post partition, additional space in front of the horses, large entrance door and easily accessible tack locker.

Walk-in tack locker with full-height access door, conveniently accessible from inside and outside.

The tack lockers.

Bridle hooks exactly where you need them. Saddle racks that are easy to use and storage space such as shelves, nets and crop holders that are simply practical: In addition to the generous amount of space in the tack locker of the Master models, every detail is just right. The large doors make everything conveniently accessible from inside and outside. Discover the extensive range of standard features.

Practical shelf with optimised cleaning

with defined water drainage. The special shape with large radii does not have any edges for the horse to bite.



Everything is conveniently accessible from inside and outside

with the large tack locker doors, practical interior doors and rain gutter. Perfect closure thanks to the 3-point door lock and rubber seal.



Western tack locker (available as option)

with large saddle racks for western saddles; with plastic shovel, telescopic broom, mirror, door net, saddle pad holder and LED light as standard features.



Master tack locker

with practical shelves and plenty of storage space, accessible from inside and outside. In addition to the horizontally and vertically adjustable as well as pull-out saddle rack, a telescopic broom, plastic shovel, door net, mirror, riding crop holder, feed troughs, large bridle hooks, pad holder, LED light and folding stool with safety catch are also included in the standard equipment.

NEW



Big Master and Grand Master SKA tack locker

with practical shelves and plenty of storage space, accessible from inside and outside. In addition to the horizontally and vertically adjustable as well as pull-out saddle rack, a telescopic broom, plastic shovel, door net, mirror, riding crop holder, feed troughs, large bridle hooks, pad holder, LED light and folding stool with safety catch are also included in the standard equipment.



Grand Master SR tack locker

Walk-in tack locker with full-height access door, conveniently accessible from inside and outside. In addition to the horizontally and vertically adjustable as well as pull-out saddle rack, a telescopic broom, plastic shovel, door net, mirror, riding crop holder, feed troughs, large bridle hooks and folding stool with safety catch are also included in the standard equipment.

Good for your horse.

The loading height, the light interior with plenty of headroom, the Multi Safe System (MSS) and the absolute absence of sharp corners and edges – the safety of your horses is our main priority. These detailed solutions – standard features on all Böckmann horse trailers – have been developed on the basis of 65 years of experience gained with our own horses and have been consistently adapted to their well-being and comfort.

For further details on the **Böckmann safety concept** and the added values visit www.boeckmann.com



Large and inviting entrance

due to the narrow roof edges, interior canvas lift and the bright, white interior walls. At night the interior lighting provides sufficient light in the interior.



Low loading height

with the lowered world-class chassis with galvanised independent wheel suspension, coil spring suspension and wheel shock absorbers.



Optimum foothold and minimised risk of slipping

due to safety treads, side stops on the rear ramp covering and the closed, narrow rear ramp hinge.



Lots of room for a wide stance

due to securing of the PVC curtain 600mm above the floor – for pleasant transport.



Safe transport

ensured by the track-proven Böckmann partition wall system and the safety stall bar system (MSS) with tie rings and an adjustable height range of 10 cm. Further protection is provided by the additional stall bar padding as well as the padding and kick protection on the side walls and on the tack locker in front of the horses (the latter is a standard feature in the Grand Master SR, optional accessory in the Master, Big Master and Grand Master SKA).



No slipping of the horse's hooves and good visibility from the car
due to closed, perforated rear struts.



Safe to stand on
due to the rubber floor with non-slip textile structure.



No sharp edges and corners
ensured by rounded hinges and plastic covers on the steel profile struts
and at the ends of the rear struts.



Plenty of headroom, space and light interior

ensured by the generous space concepts of the Master family. The tinted pop-up windows with integrated grille, large radii without corners and edges and flat hinges provide additional protection.



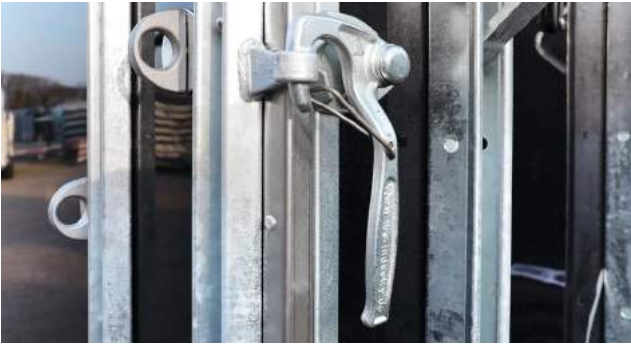
Calming atmosphere

provided by the blue LED transport light – can be conveniently
switched from blue to white.



Fast safety in emergencies

with the track-proven Multi Safe safety stall bar panic system (MSS).
Can be released at the front and rear. The wheel spanner is included in the
standard equipment.



Safety

due to robust, elbow lever locks with 180° rotation that minimise the risk of injury to your horse.



No entangling of the rope

due to flat door handles.



Plenty of room for the tail

due to generous clearance between the stall bar and the rear ramp.



PVC canvas lift

with integrated net and roll-up function in the Master and Big Master [1]. Black PVC canvas lift with integrated net and roll-up function as well as forced ventilation in black in the Grand Master [2].



Easily accessible feed

with two safety feeding troughs with holder.



Good ventilation, brightness and sun protection

with several horizontally opening side windows in the Grand Master [1] or pop-up side windows in the Master and Big Master [2]. Dazzle-free, with sunshade and safety grille.



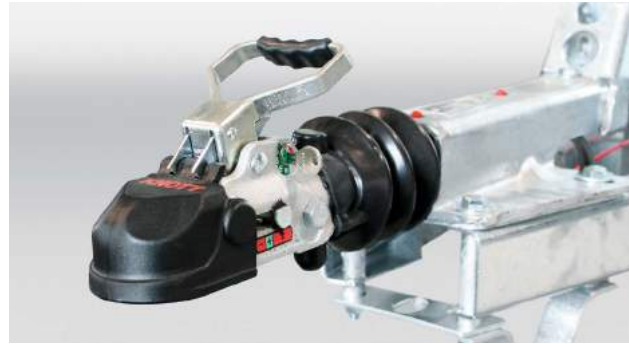
Easily accessible hay

with optimally positioned hooks for a hay net. The specially shaped tack locker with its large radii does not have any biting edges for the horse.

Good for you.

In addition to the needs of the horses, our horse trailers are tailored to the requirements of the riders. Innovations such as the chassis, the coupling and the automatic jockey wheel prove their worth in daily use. Details such as the crop holder, the mounting step and the extra wide bridle hooks at the right place show that during development the main focus was on one main thing – practical experience for practical applications.

For further details on the extra advantages visit www.boeckmann.com



Safe hitching and unhitching

due to the lockable cast coupling with rubberised, convenient heart-shaped handle and soft top (crash protection).



Easy manoeuvring

due to the automatic jockey wheel – extra-long with an easy-to-handle crank and optimally positioned manoeuvring handle, perfect to use, even in cold weather.



Optimum closure

with the 3-point door lock and rubber seal.



Plenty of space for loading and unloading

due to the large clearance between the stall bar and tack locker in the front area of the trailer.





Crash and theft protection

provided by the lockable cast-iron coupling with soft-top crash protection and rubberised, convenient heart-shaped handle.



Unimpeded access to the car boot

due to the rubberised, convenient heart-shaped coupling handle and the flat brake lever – also when attached.



Convenient operation

due to the easily accessible and separate light switch for the interior lighting on the right-hand entrance door.



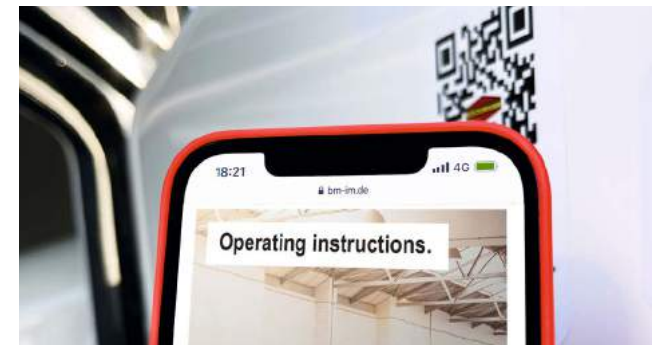
Quick access to the horse compartment

through a large entrance door and plenty of space once inside.



One key for all locks

with a master key in triplicate for the tack locker door, entrance door and cast coupling.



Fast access to the operating instructions

with the QR code directly on the vehicle.



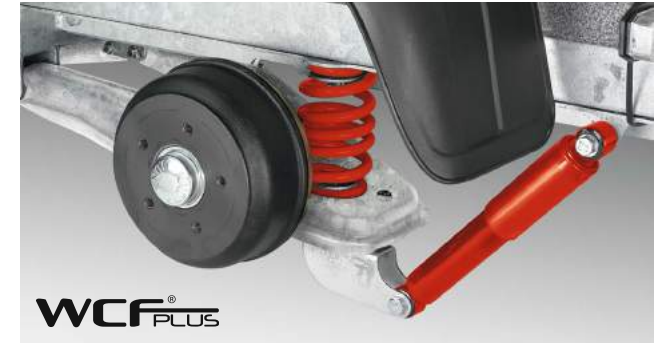
Tack locker as a shelf

due to the optimised design with plenty of space and no biting edge for the horses. Practical cleaning with defined water drainage.



Mudguards as shelf

with the wide and open, straight form of the impact-resistant plastic or polyester mudguards.



Travelling comfort

with the world-class chassis to automotive standards with wheel shock absorbers.



Simple operation

due to the practical roll-up function of the PVC canvas lift. Lifting device for easy opening of the rear ramp, additionally with new, robust double step.



Easy to tow

due to the aerodynamic body and low centre of gravity – also saves fuel.



Practical protection against damage
with door catches on the doors.



Protection against rain
provided by the rain gutters above the doors and also in the rear area.



More travelling safety
due to the large-sized quality tyres (aluminium rims are part of the standard equipment of the Grand Master).



Convenient operation and extensive standard features in the tack locker
with a door catch as well as a telescopic broom, plastic shovel, door net, mirror, crop holder, feed troughs, large bridle hooks, pad holder, LED light and folding stool with safety catch.



Tie options
with lots of fittings on and in the trailer.

Good for lasting value.

Original Böckmann quality down to the last detail – for you this means durability and a high resale value. This is achieved by absolutely solid workmanship and the use of high-quality materials. Experience the strength and safety of our horse trailers yourself.

For further details on the extra advantages visit www.boeckmann.com



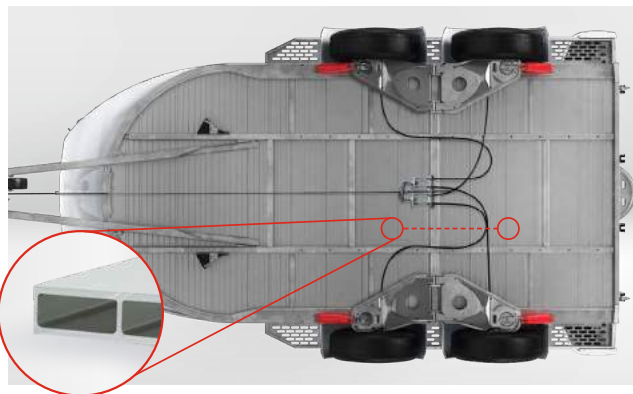
Strong frame

with an end-to-end, Z-profile frame of galvanised special steel – firmly bolted to the body.



Resilient

due to the fully bonded and sealed rubber floor (8mm) throughout.



Robust, rot-proof and made for high loads

due to the solid quality full aluminium floor with closed profile for reinforcement in the horse compartment as well as the longitudinal beam construction and the welded, hot-dip galvanised steel frame.



Kick protection

with a particularly impact-resistant plastic on the side walls and in front of the horse (standard feature on the Grand Master SR).



Strong dividing wall construction and high-quality materials
with the solid, welded steel frame or the middle post partition made of anodised aluminium.



Robust rear ramp
with four galvanised steel profile struts with integrated lifting device; additionally with new, robust double step.



Wood-free body made of reinforced full polyester
for outstanding durability.



Higher payload
with the standard 2400 kg (Master and Big Master) or 2700 kg (Grand Master) total weight instead of 2000 kg.

Great design.

Individuality in its most appealing form – all Master models can be designed according to your taste. Lots of colour combinations are possible – from the roof to the body to the covers for side braces. We would also be pleased to offer you individual and photorealistic lettering according to your specifications. Simply ask the Böckmann specialist dealer in your area.



The Master in the body colour yellow³ or royal blue³.



White²



Silver metallic¹



Anthracite metallic²



Slate grey³



Silver grey³



Dark-blue metallic²



Red metallic²



Green metallic²



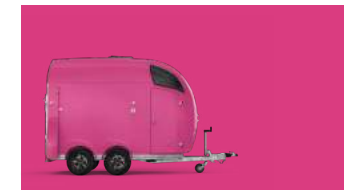
Dark-brown metallic²



Royal blue³



Flame red³



Magenta³



Yellow³



Yellow-green³



Deep orange³

¹ Standard ² Without surcharge ³ With surcharge

Experience has shown that printing inks cannot reproduce the original colour of paintwork. We therefore recommend that you ask your Böckmann partner to show you the colour samples. Individual colour combinations, special finishes as well as wraps based on your design are possible. Your Böckmann specialist dealer will be pleased to help you!

Great outlook.

Create “your Böckmann” according to your personal preferences. Large or small decor, multi-colour or monochrome: The choice is yours. The decors are exclusively designed by Jan Künstler for Böckmann. On request we would be pleased to create custom decors and custom sizes based on your design. Your Böckmann partner would be pleased to help you.

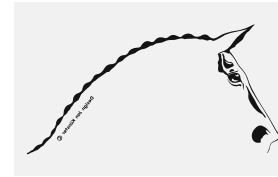


Small decor

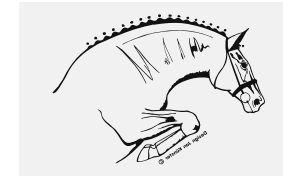
Positioning example of small decor motif “Competition, multi-colour”.



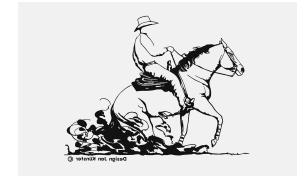
Strong trot, multi-colour



Horse's head



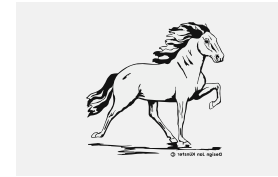
Jumper



Western



Jumper, multi-colour



Gaited horse



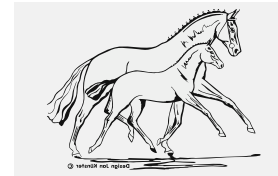
Arabian



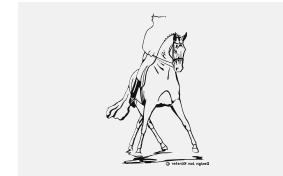
Driving sport



Piaffe, multi-colour



Mare with foal



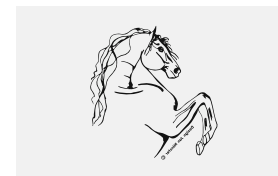
Dressage



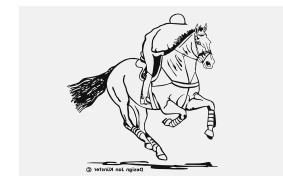
Frisian



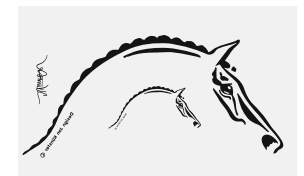
Gallop, multi-colour



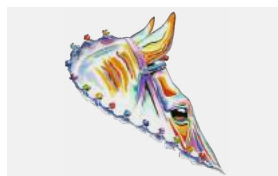
Andalusian



Military



Artline



Competition, multi-colour



Competition



Competition, greyscale



Large decor

Positioning example of large decor motif “Competition, greyscale”.

Accessories.

The range of standard features of the Master family is extensive. The models have many details and innovations from which both horse and rider benefit. Even more is possible with the original Böckmann accessories – customise your Master to suit your needs and those of your horses.



Discover the full range of accessories and configure your Master online:
www.boeckmann.com/en/configurator



Safety on the road
with a folding foal grid.



Practical storage option
with a tie up bar for saddle rack and saddle pad (on side of trailer).



Many possible applications
with the rear ramp/door combination.



Many functions
with the middle post partition for the Master (standard feature on the Grand Master).



Optimum ventilation

with a roof vent in the polyester roof (standard feature on the Grand Master).



More light at the rear

with the additional interior light (second interior light standard feature on the Big Master and Grand Master).



Everything in view

with the video surveillance of the horse compartment as well as an additional rear view camera.



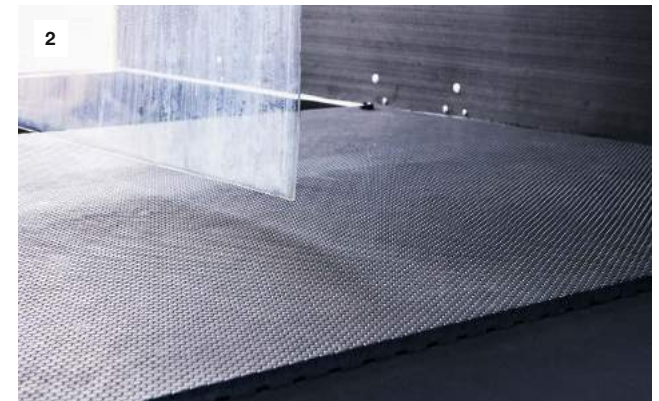
Several safety features

such as the anti-torsion coupling [1] (up to 2.7 t total weight, not lockable), the weatherproof protective cover [2] and the spare wheel with spare wheel holder and a spare wheel cover [3].



Visual highlight

with the polyester cover for side braces, the single polyester fenders e.g. in the body colour as well as the Böckmann Premium aluminium rims (standard feature on the Grand Master).



Durability

with the kick protection in front of the horses [1] (standard feature on the Grand Master SR) and the wear mat in the area of the front legs [2] (standard feature on the Grand Master).

First class service.

As a Böckmann customer you will receive personal support with many service offers directly on site. Our dense network of competent and trained Böckmann sales partners is at your disposal across the country. They will be able to provide you with the excellent trailer advice and top-notch service you need. We have put together more information and tips for you in our online service portal:



Original part orders

Guaranteed exact fit, reliability, durability in daily use and a higher resale value.

www.boeckmann.com/en/accessories



Repair service

Trained employees take care of all repairs and the installation of original parts if necessary. On request together with the next general inspection.

www.boeckmann.com/en/services



Böckmann magazine

Read our Böckmann magazine for important information, trade fair dates and helpful trailer tips. Take a look inside:

www.boeckmann.com/en/magazine



Böckmann FAQs

Frequently asked questions about transport, trucks and trailers. We support you with answers so that you are perfectly prepared for your transport task.

www.boeckmann.com/en/services/faqs



Böckmann partners

Find your personal Böckmann dealer at home and abroad with ease. Refer to our dealer locator at:

www.boeckmann.com/en/dealer-locator

The Böckmann financing options.

Would you like to finance or lease a new Master? Simply contact your local dealer and ask for individual advice about the possibilities. Your Böckmann dealer will be happy to assist you.

Ask your
local dealer!



Master

Big Master

Grand Master SKA

Get moving with Böckmann. First class and hand in hand.

The Böckmann brand has stood for progress, quality and reliability since 1956. Our services and products are designed to inspire people time and time again and deliver real added value. "You have to put your heart and soul into the business to be successful in the long term" was the guiding principle of our founder. And this is still a living part of the company today and every day. Welcome to the world of Böckmann.



Böckmann trailers

A success story which started in 1956: As the trailers are used for Böckmann's own horses, they have been subjected to constant improvement over the years. In this way we became the international market leader for horse trailers.



Böckmann transporters

Thanks to the experience of over 60 years of equestrian sport, we develop horse trucks that leave nothing to be desired. Whether in the living or sleeping compartment or the horse compartment – every single detail is designed and produced individually in Lastrup. And naturally hand-crafted. Let us advise you directly at the Truck Center.



Böckmann horses

Everything for your horses. Everything from one source. Everything in Hamstrup! Ranging from horse-friendly accommodation with individual care to foaling and successful training in dressage and show jumping by the renowned trainer Gilbert Böckmann and his team.



Böckmann Collection

From sweat rugs to polo shirts to folding rules – discover the entire Böckmann Collection. Simply scan the QR code and explore the entire range.








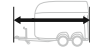


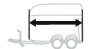










Find out more about Bockmann:

f [facebook.com/anhangensterklasse](https://www.facebook.com/anhangensterklasse)

▶ [boeckmann.com/youtube](https://www.boeckmann.com/youtube)

@ [instagram.com/boeckmann.horses](https://www.instagram.com/boeckmann.horses)

Technical data

									
 Master	2400 kg	2775 mm	2245 mm	4710 mm	2350 mm	1650 mm	3560 mm	1360 kg	
 Big Master	2400 kg	2740 mm	2310 mm	5260 mm	2300 mm	1750 mm	3900 mm	1238 kg	
 Grand Master SKA	2700 kg	2820 mm	2310 mm	5260 mm	2300 mm	1750 mm	3900 mm	1541 kg	
 Grand Master SR	2700 kg	2820 mm	2310 mm	5260 mm	2300 mm	1750 mm	3900 mm	1462 kg	

Changes to design and equipment reserved. Weights and dimensions approximate and may change due to additional equipment.

Your local Böckmann partner looks forward to meeting you:

Böckmann Fahrzeugwerke GmbH 49688 Lastrup
 Phone +49 (0) 4472 895-0 Fax +49 (0) 4472 895-550
 info@boeckmann.com www.boeckmann.com
 f facebook.com/anhangersterklasse ▶ boeckmann.com/youtube
 @ instagram.com/boeckmann.horses



FIRST CLASS TRANSPORT